

**PRODUCT DATA**

General Description	<b>BUTTERFLY VALVE</b> - Centric rubber lined
Design Code	EN 593
Size Range	DN 80 - 300, NPS 3" - 12"
Maximum Pressure	16 bar



**DESIGN**

Body	Flangeless wafer type
End Connection	EN 1092 PN 6, 10 and 16 ASME B16.5 cl. 150 MSS SP 44 cl. 150 AWWA C207 cl. B, D and E BS 10 table D and E
Face to Face	EN 558-1/2 Series 20 ISO 5752 Series 20
Body Seat	Non replaceable Lining bonded to the body
Shaft Seal Design	O-ring bush
Driving Shaft	With indication for position of the disc
Special Design	-
Options	

**TESTING PROCEDURES**

Shell strength test	EN 12266-1, P10 DIN 3230, Part 3 API 598
Shell tightness test	EN 12266-1, P11 API 598
Seat tightness test	EN 12266-1, P12, Rate A ISO 5208, Rate A API 598
Operability test	EN 12266-2, F20 DIN 3230, Part 3 API 598

**FUNCTIONAL CHARACTERISTICS**

Application	On/off, regulating, control valve
Design pressure PS	Maximum 16 bar
Design temp. TS	-10°C (-14°F) to +200° (392°F)
Flow velocity	Max. 5 m/s for liquids, max. 50 m/s for gases
Seat tightness rate	Bi-directional - ISO 5208 rate A

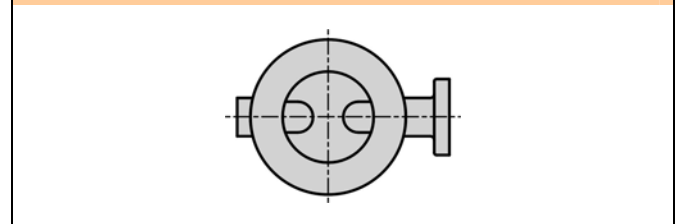
**OPTIONS**

Anti Static Design	In accordance with EN 736/3 and API 609
--------------------	---

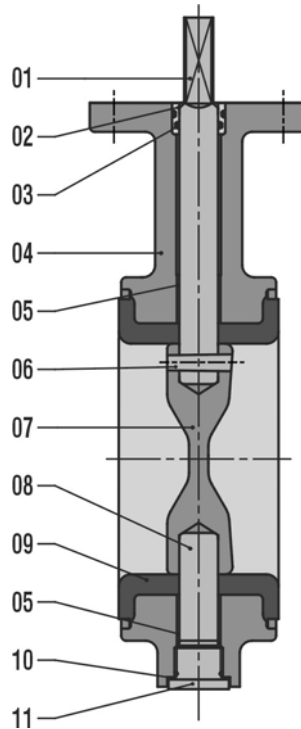
**MARKING & CERTIFICATION**

Marking	EN 19, MSS SP 25
Certification	EN 10204 - 2.2, 3.1, 3.2

**PREFERRED POSITION WHEN INSTALLED IN HORIZONTAL PIPELINE**



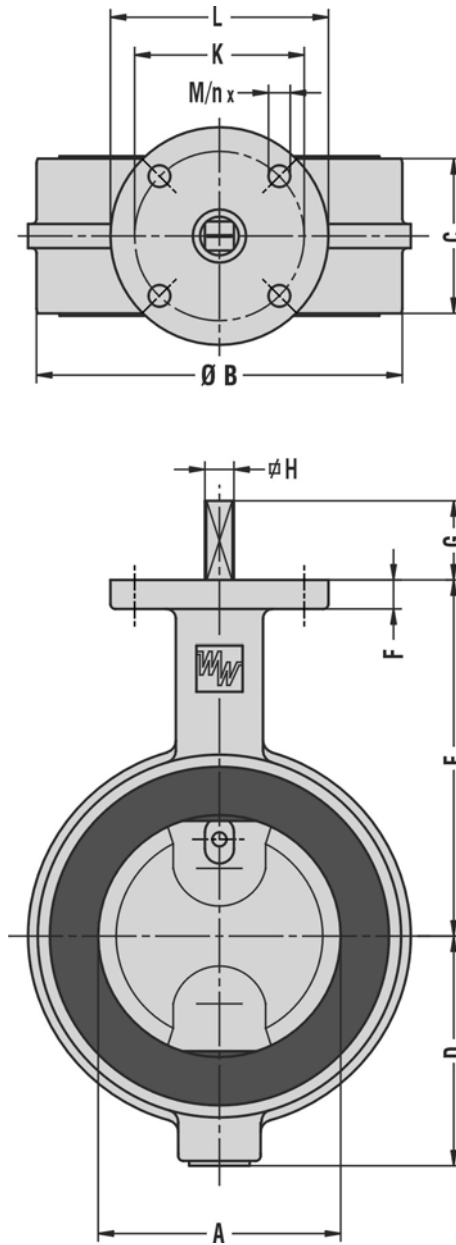
**PARTS LIST – EVL 80-300 (3"-12")**



ITEM	DESCRIPTION	MATERIAL <sup>(1)</sup>	EN/DIN	COMPARABLE ASTM
01	Shaft	Duplex SS Martensitic SS Aluminium Bronze Monel K500® Hastelloy-C®	1.4462, EN 10088 1.4057, EN 10088 CuAl10Ni5Fe4, EN/DIN 17665 NA 18, BS 3076 -	A 181, Grade F51 A 276, Grade 431 B 150, C63000 -
02	Bush	Bronze		B 547, N10276
03	O-ring	EPDM NBR FPM		
04	Body	Cast Iron Ductile Iron Ductile Iron (low temp.)	JL 1040, EN 1561 JS 1030, EN 1563 JS 1049, EN 1563	A 126, Class B A 395, 60-40-18 -
05	Bearing	St. / PTFE Lining		
06	Conical pin	See ITEM 01	See ITEM 01	See ITEM 01
07	Disc	Duplex SS Martensitic SS Ductile Iron / Rilsan coated <sup>(2)</sup> Aluminium Bronze Hastelloy-C®	1.4462, EN 10088 1.4057, EN 10088 JS 1030, EN 1563 G-CuAl10Ni, DIN 1714 -	A 181, Grade F51 A 276, Grade 431 A 395, 60-40-18 B 148, C95800 A 494, CW-12MW -
08	Shaft	See ITEM 01	See ITEM 01	See ITEM 01
09	Lining	EPDM NBR FPM		
10	Sealing ring	Cu		
11	Plug	St./Zn5C		

<sup>(1)</sup> Other materials on request

**DIMENSIONS – EVL 80-300 (3"-12")**



DN	NPS	A	B	C	D	E	F	G	H	ISO 5211	K	L	M	n	MASS ±kg
80	3"	80	130	64	78	133	12	34	10	F07	70	90	9	4	5.5
100	4"	100	150	64	98	147	12	34	12	F07	70	90	9	4	6.5
125	5"	125	182	70	109	160	12	34	12	F07	70	90	9	4	10
150	6"	150	210	76	133	180	14	34	16	F07	70	90	9	4	12
200	8"	200	262	89	158	204	14	34	16	F07	70	90	9	4	18
250	10"	250	315	114	194	245	15	45	24	F10	102	125	11	4	26
300	12"	300	371	114	219	270	15	45	24	F10	102	125	11	4	36